

Entra Round or Square Adjustable Remodel

EN3_R-L_9_ 1.2

VISUAL COMFORT & Co.

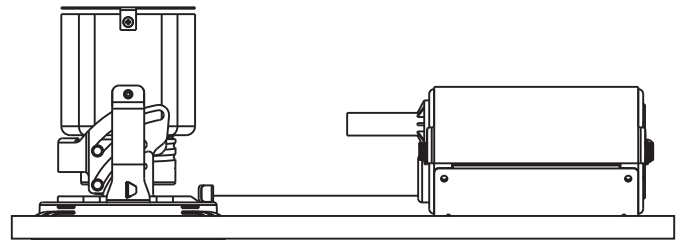
ARCHITECTURAL COLLECTION

GENERAL PRODUCT INFORMATION:

This product is safety listed for damp locations with all trims, and for wet locations with trims EN3RFB-H_; EN3RLB-H_; EN3SFB-H_; and EN3SLB-H_.

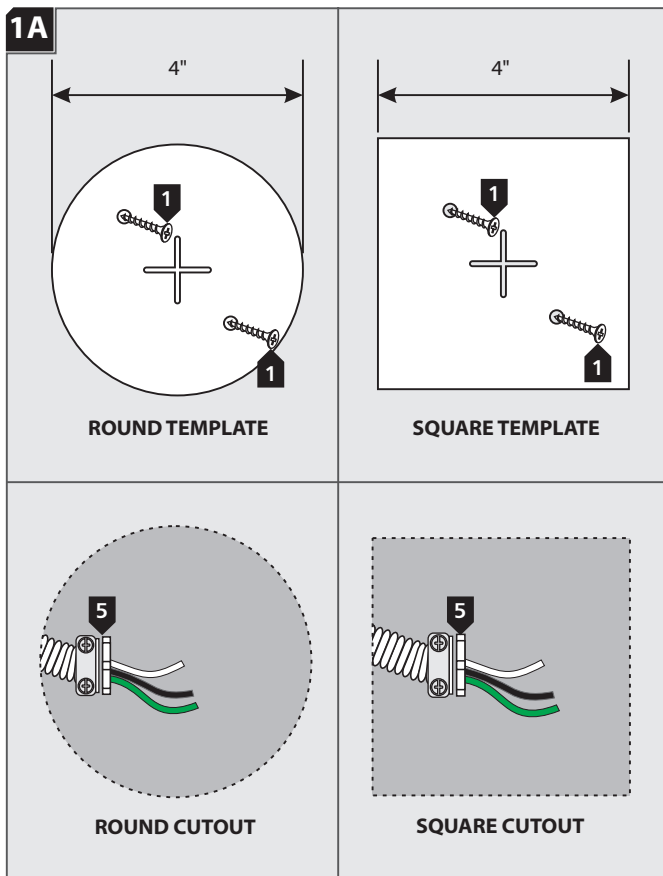
This product may be dimmed with a standard electronic dimmer and/or 0-10V dimmer.

This instruction shows a typical installation.

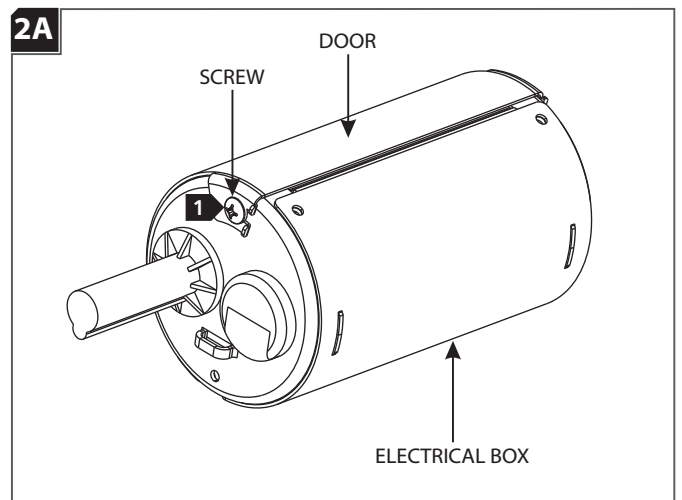


CAUTION - RISK OF FIRE
 This product must be installed in accordance with the applicable installation code by a person familiar with the construction and operation of the product and the hazards involved.
Use minimum 90°C supply conductors.

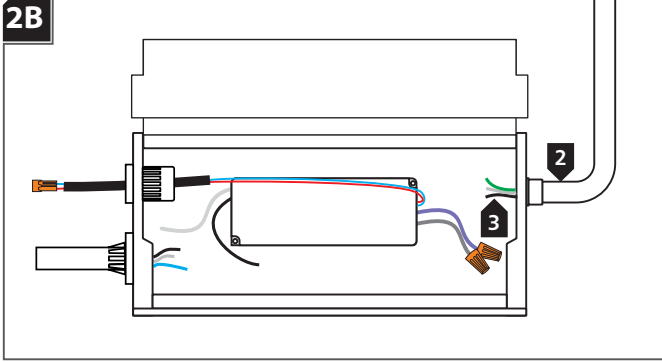
SAVE THESE INSTRUCTIONS!



- 1 Mount the cutout template(s) to the desired location in the ceiling using two screws each.
- 2 If necessary, use a laser to align multiple fixtures.
- 3 Make a 4-inch cutout by running a 1/8" RotoZip around the outside of the template(s).
- 4 Bring conduit to the ceiling cut-out(s).



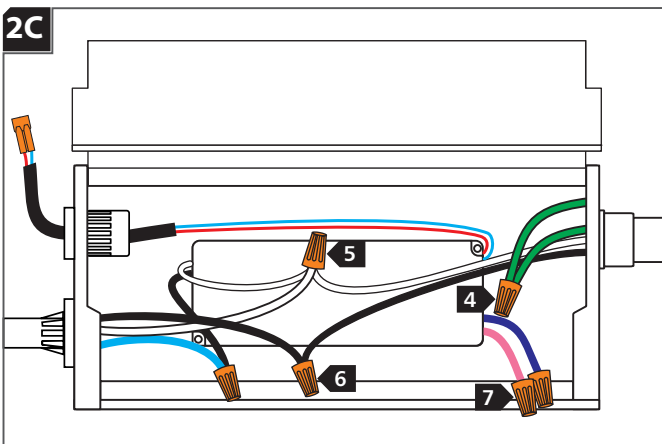
- 1 Open the electrical box door by unscrewing and removing the two screws using a screwdriver.



- 2 Install the conduit to the electrical box.
- 3 Run the power line wires into the electrical box.

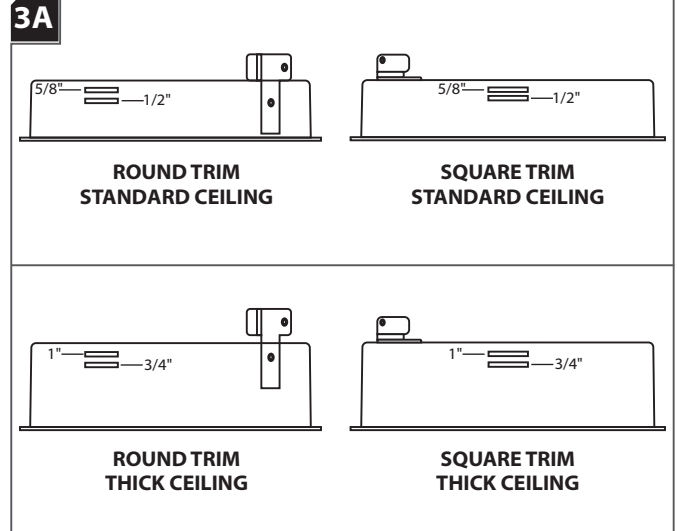
NOTE: When a fixture is installed in a location that requires servicing from below the ceiling through the fixture aperture, the branch circuit connections need to be able to be brought out through the aperture. To accomplish this, an NM type cable in conjunction with snap-in/push-in connectors must be used and a 12" service loop must be left available outside of the fixture housing wiring compartment to allow additional branch circuit wiring to be pulled through the snap-in/push-in connector and extended out through the aperture below ceiling level.

WARNING: RISK OF FIRE: When using the housing electrical box for power feed through, use **MAX** 2 - #12 AWG, or 2 - #14 AWG branch circuit wires.

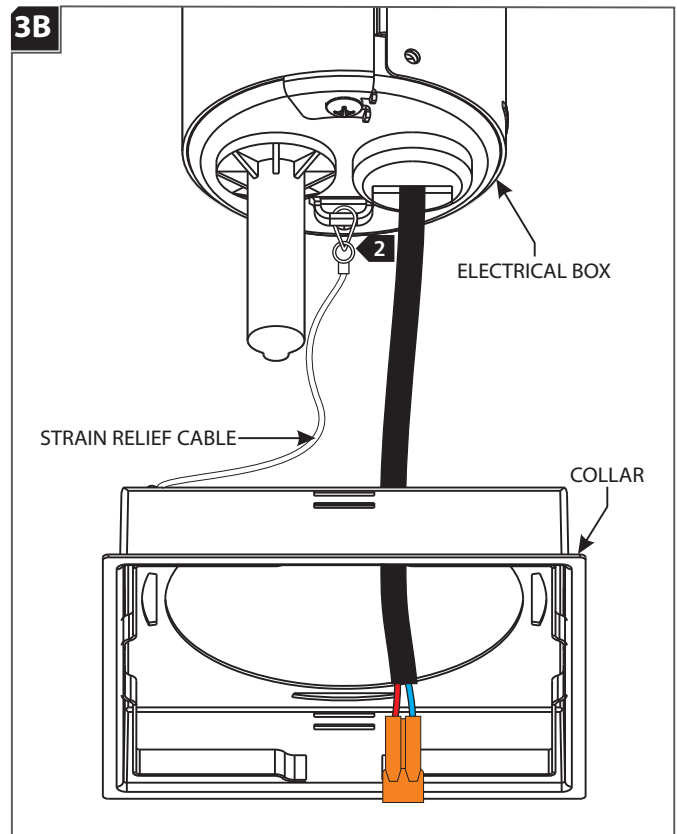


- 4 Make sure that fixture is grounded in accordance with local electrical codes.
- 5 Connect the neutral power line wire to the loose white wire with a wire nut.
- 6 Connect the hot power line wire to the loose black wire with a wire nut.
- 7 For 0-10V dimming, use the purple and gray/pink wire to connect to a compatible dimmer. If 0-10V dimming is not being used, make sure the purple and gray/pink wires are capped off.
- 8 Neatly tuck the wires and wire nut connections into the electrical box, close the door, and lock it by re-installing the screws. **Make sure no wires are being pinched.**

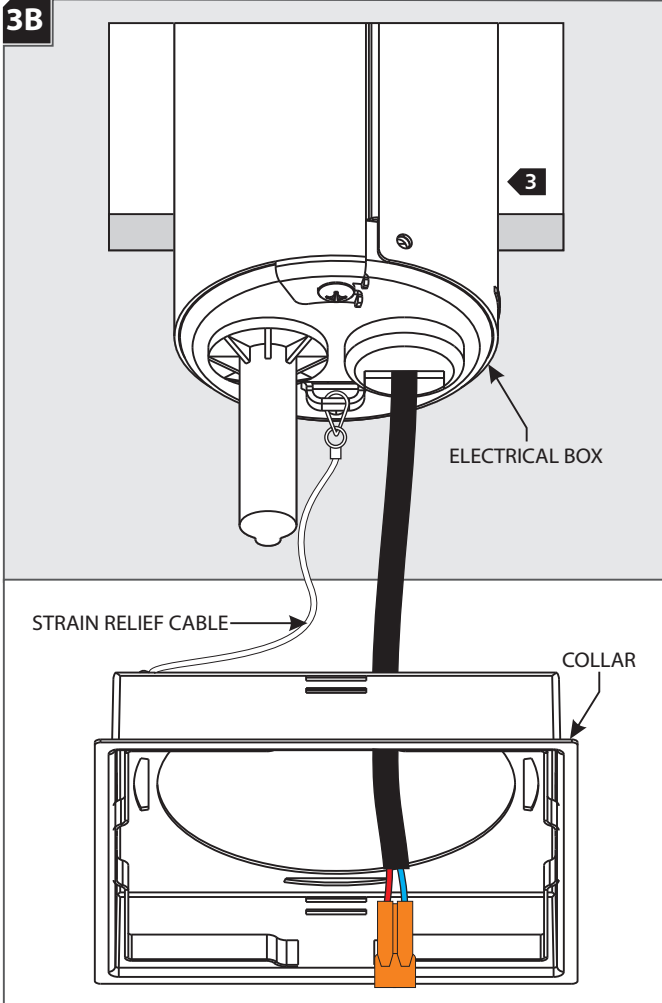
Install the Collar



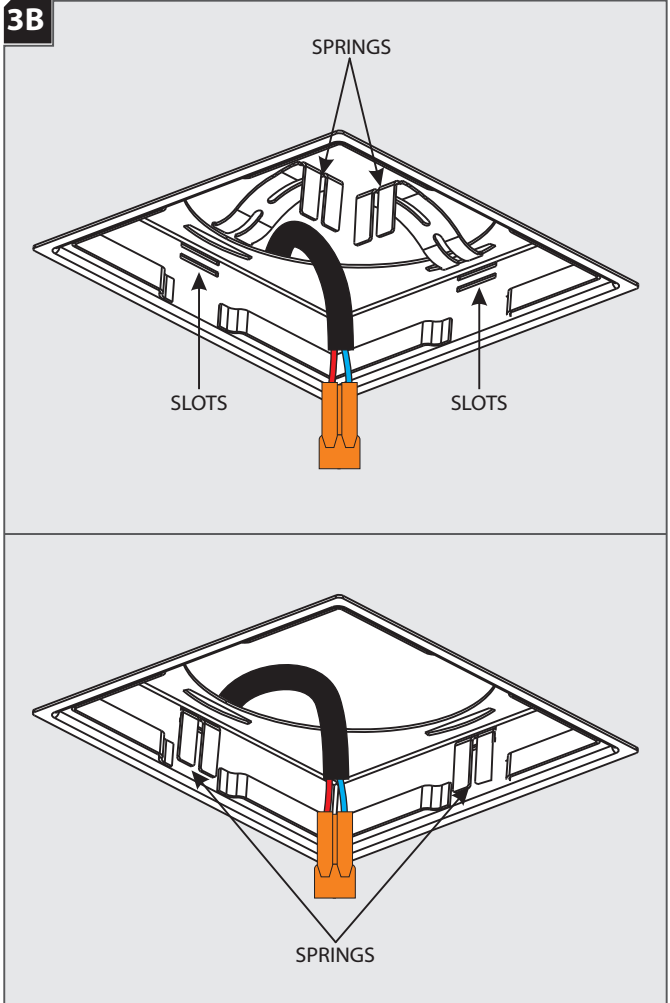
- 1 Identify the correct collar for your ceiling thickness. The shorter collar is used for 1/2"- and 5/8"-thick ceilings, and the taller collar is used for 3/4"- and 1"-thick ceilings.



- 2 Use the clip to secure the strain relief cable onto the electrical box.



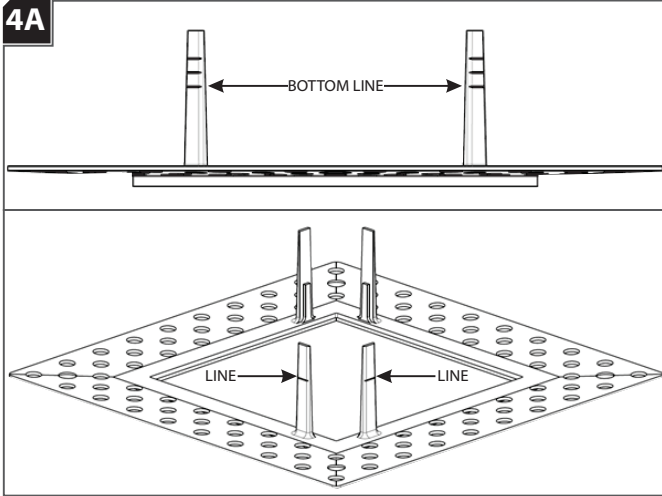
3 Insert the electrical box into the ceiling in an appropriate location.



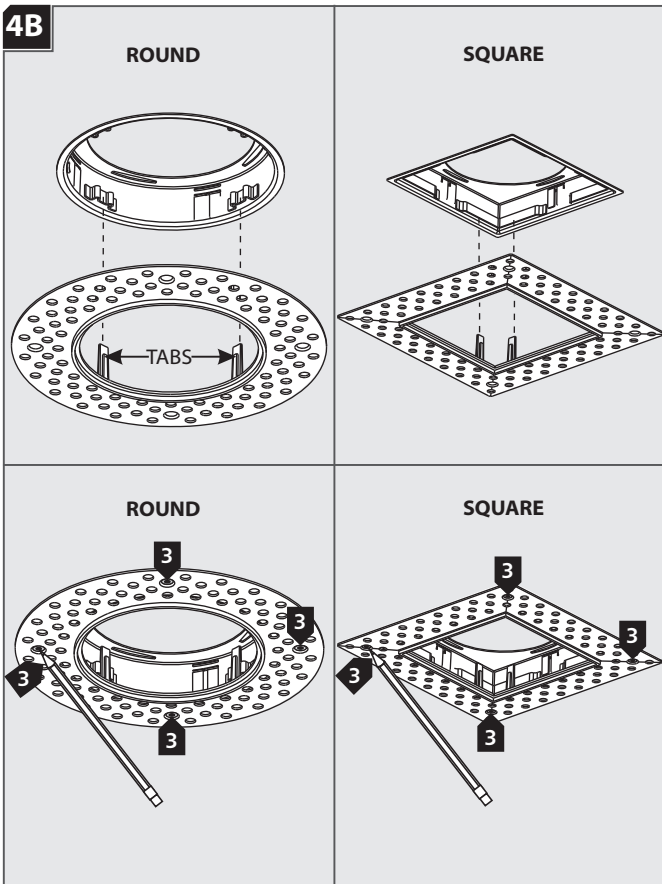
4 Identify the correct mounting slots. It is important to use the correct mounting slots that correspond to the ceiling thickness.

5 Insert the collar into the ceiling cutout and secure it by pushing the springs through the four slots until they are flush against the inside of the collar.

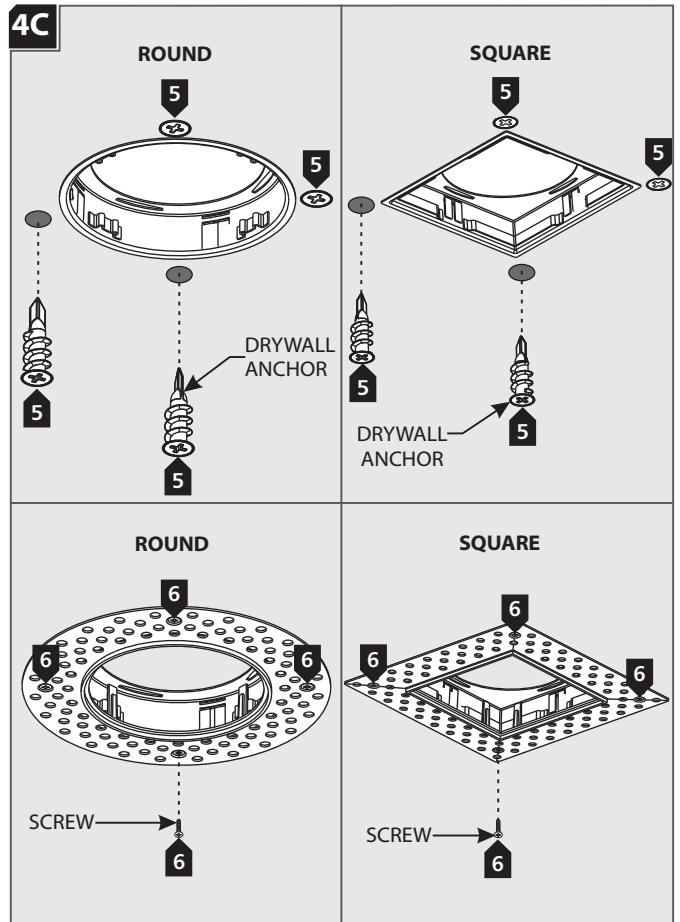
Install the Plaster Ring (Flangeless Version Only)



- 1 **FOR ROUND PLATE:** Cut the four alignment tabs along the BOTTOM line.
- 2 **FOR SQUARE PLATE:** Cut the four alignment tabs along the line.



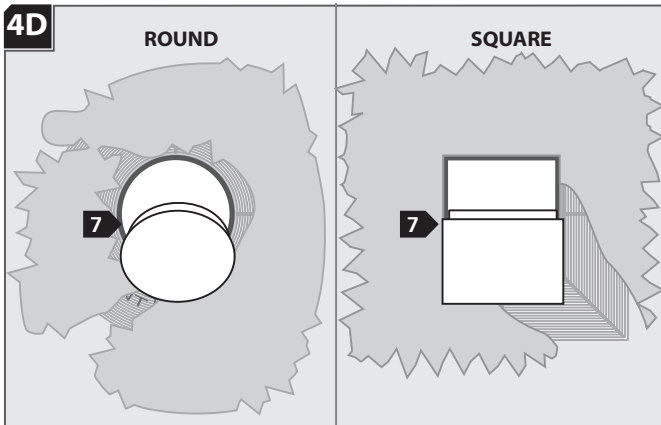
- 3 **For the round plaster plate,** align the tabs with the four notches on the collar.
For the square plaster plate, align the tabs against the corner pieces on the collar. The tabs must all be on the inside of the collar alignment features.
- 4 Mark the location of the four countersunk mounting holes.



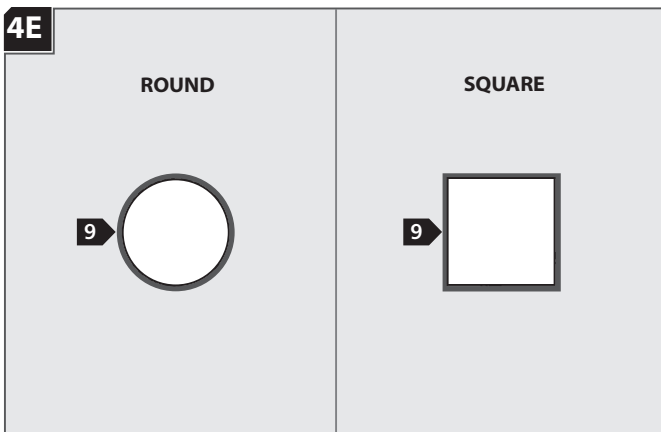
- 5 Remove the plaster plate and install the drywall anchors in those locations.
- 6 Secure the plaster ring with the four screws provided.

NOTE: Do not overtighten the screws! Overtightening may warp the plaster ring, causing an uneven ceiling surface. If the plate becomes warped, back the screws out until the plate sits flush to the ceiling.

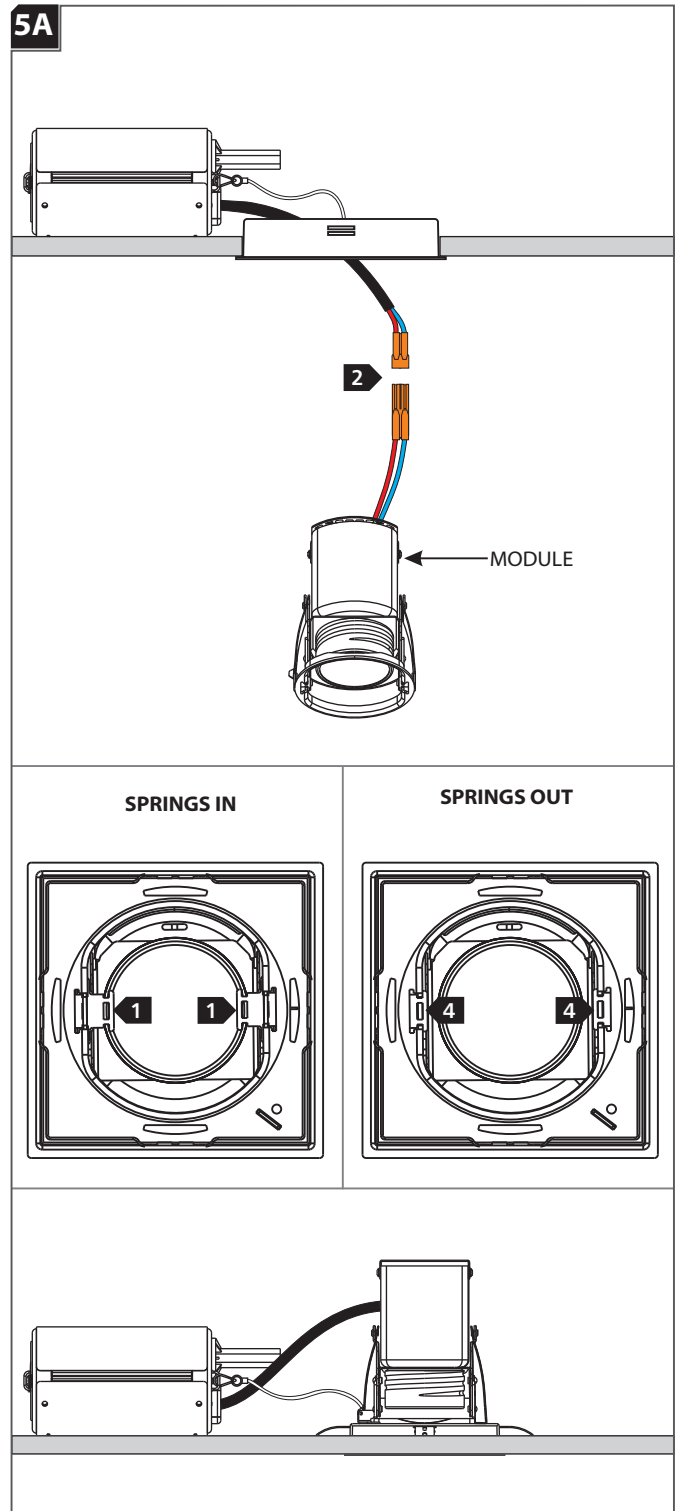
Install the Module (Remodel)



- 7 Plug the collar with the provided dust shield.
- 8 Properly plaster onto the plaster ring and drywall.



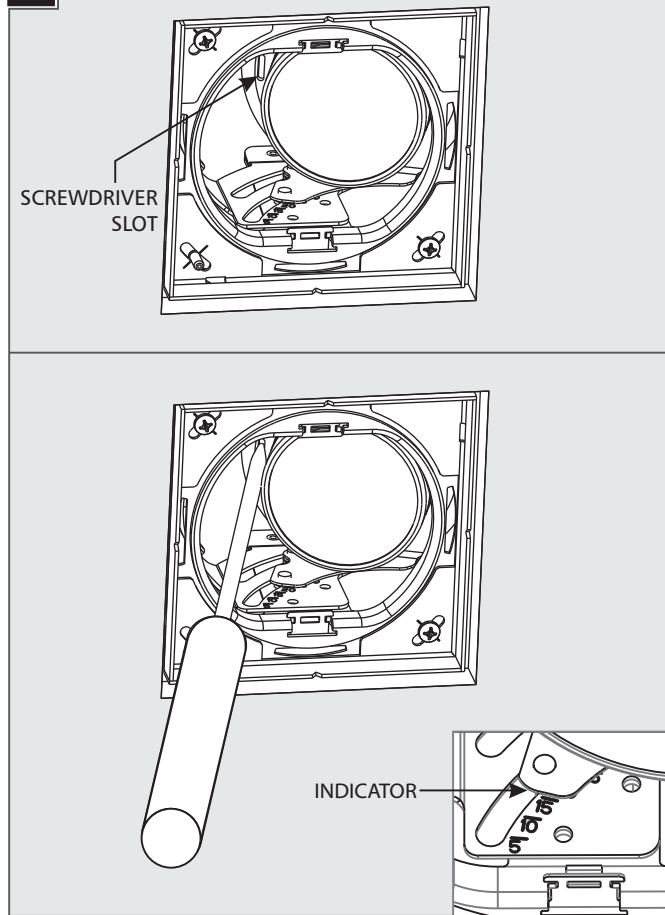
- 9 Finish around the fixture to match drywall.



- 1 Push the mounting springs inward.
- 2 Connect the driver output wires to the connector on the jumper cable.
- 3 Insert the module through the collar and into housing.
- 4 Secure the module by pushing the springs outward.

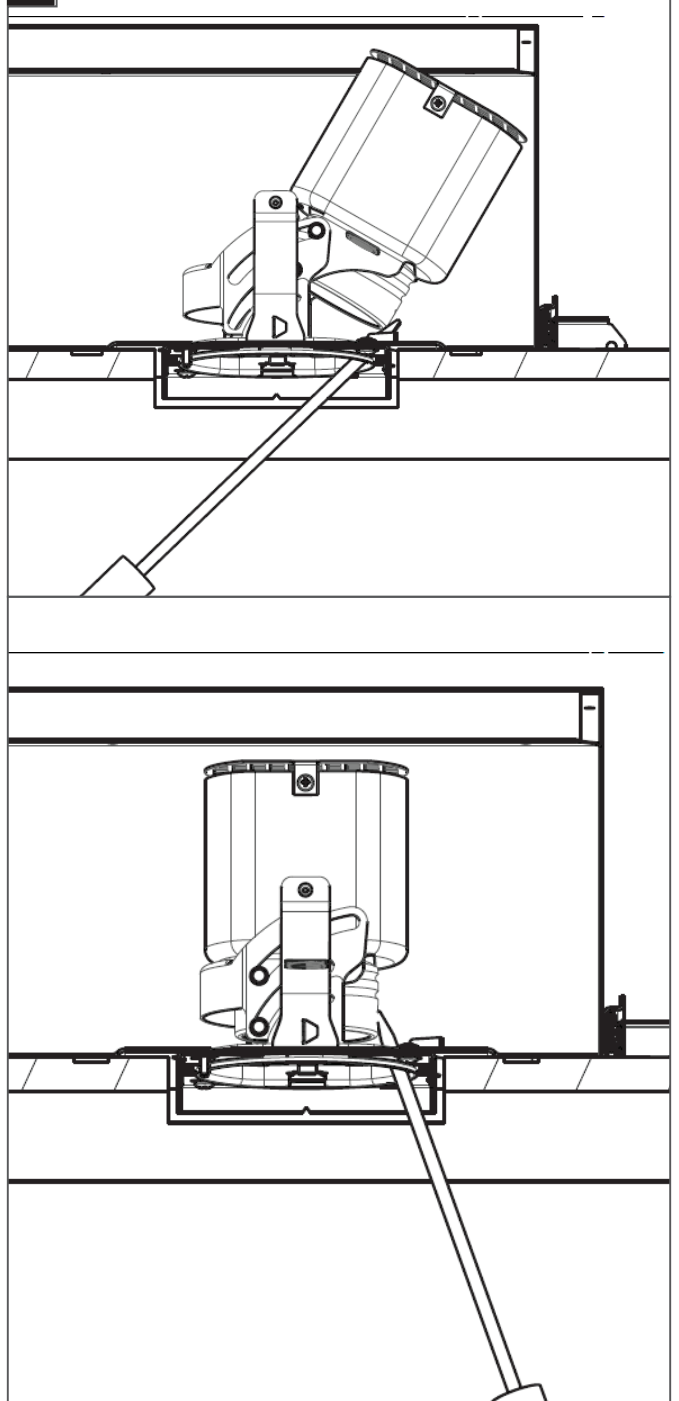
Adjust the Module

6A



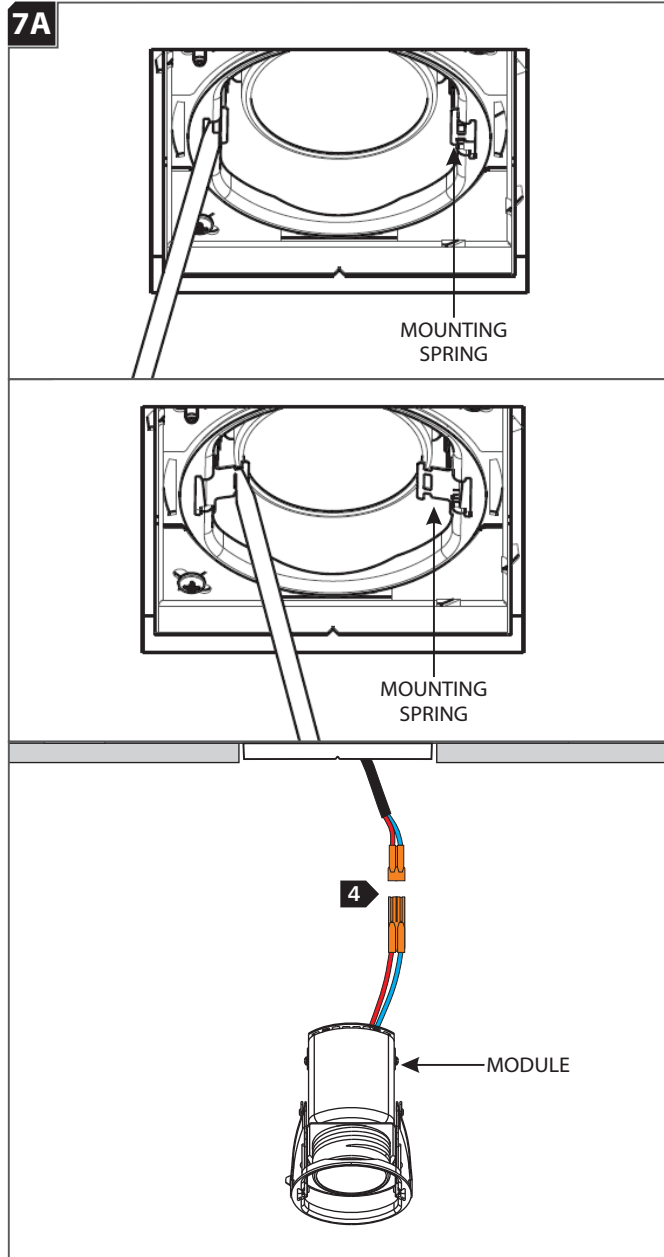
- 1 To adjust the module, insert a flat head screw driver into the slot of the module and gently pry the module to the desired angle.

6B



- 2 To tilt the module from a tilted position back towards the 0° downlight position, insert a long screwdriver and contact the back of the heat sink. Using a prying motion, tilt the module inward to the desired position.

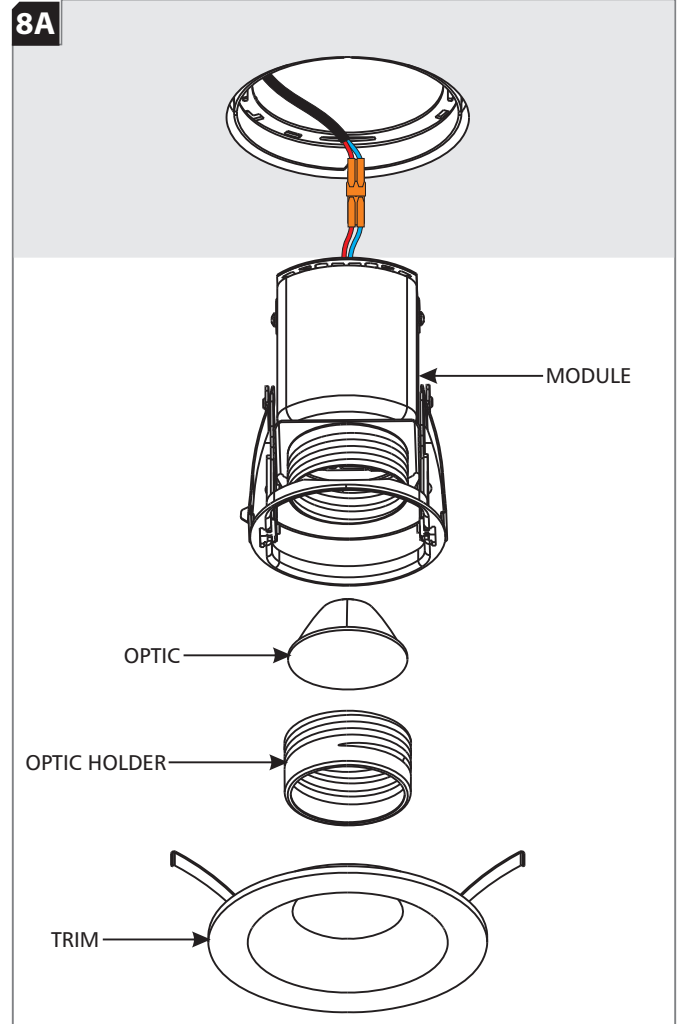
Removing the Module



Note: The module must be removed in order to access the junction box or replace the optic.

- 1 Remove the trim (refer to trim instructions).
- 2 If the module is tilted, bring the module back to the downlight position (refer to step 6B).
- 3 Use a small flat head screwdriver (3/16" blade or smaller) to pull the mounting springs inward. Insert the screwdriver into the slot in the spring, and pivot the tool to pull in the spring. Repeat for both springs while supporting the module by hand.
- 4 Pull the module down from the housing and disconnect the jumper cable.

Install or Replace Optics



- 1 Remove the module (refer to step 7A).
- 2 Unscrew and remove the optic holder.
- 3 Remove old optic and replace with new optic. **Note:** 20°, 40°, and 65° optics included. 40° optic is pre-installed.
- 4 Screw the optic holder back into the module until fully secured.
- 5 Reinstall the module and revert it back to its original position.
- 6 Re-install the trim (refer to trim instructions).

